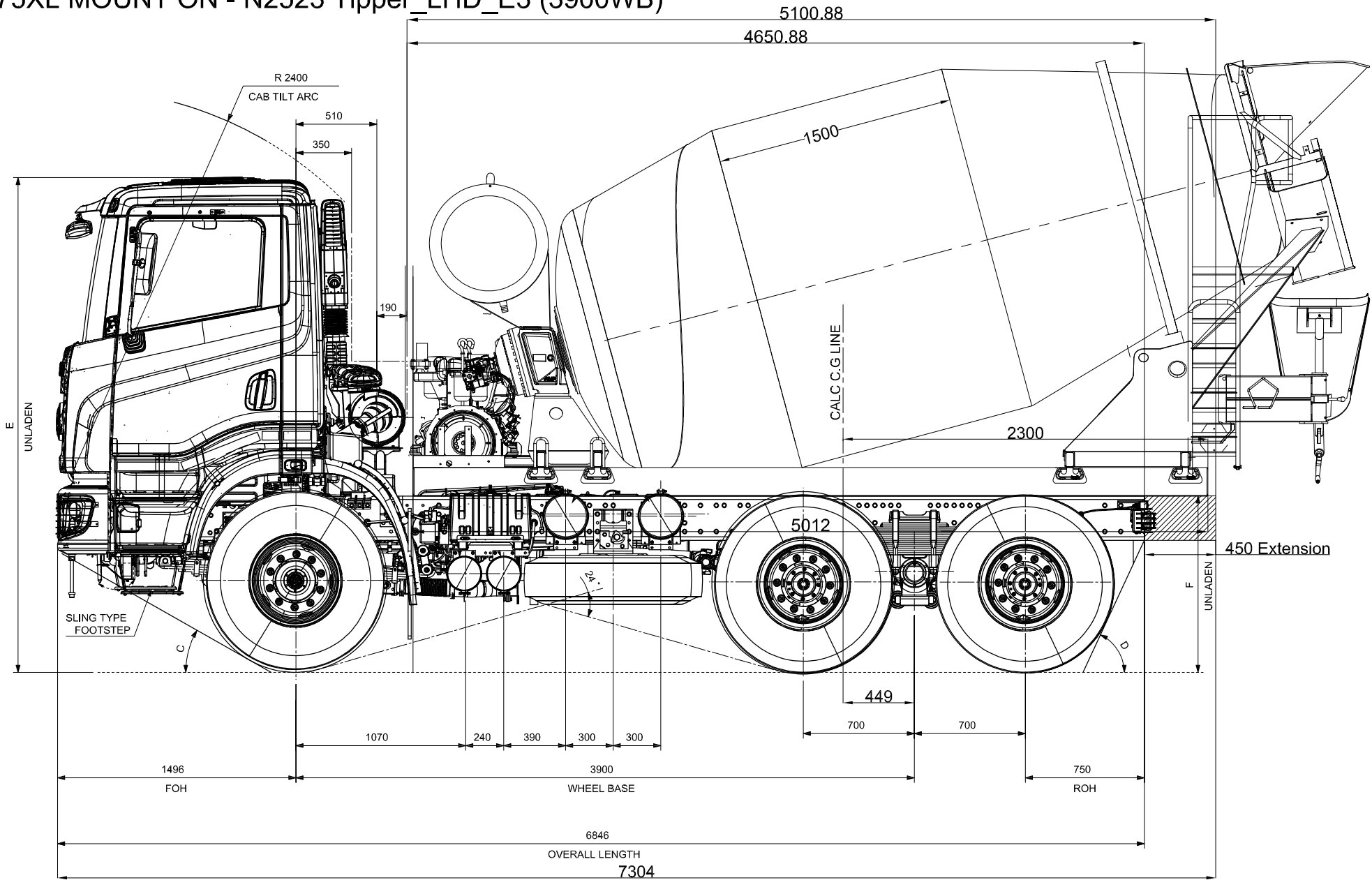


TM75XL MOUNT ON - N2523 Tipper_LHD_E3 (3900WB)



VEHICLE DETAILS :
 MODEL : N2523-T LHD-CAB CHASSIS
 PART NO : F L Q 1 4 4 3 0
MIXER DETAILS:
 CAPACITY : 7CUM
 BASE FRAME LENGTH : 5012MM

NOTE.
 BASE FRAME WIDTH IS 850MM
 ORIGINAL OVERALL LENGTH IS 6846MM.
 MODIFIED OVERALL LENGTH IS 7304MM.
 ORIGINAL MOUNTING SPAN IS 4650MM.
 MODIFIED MOUNTING SPAN IS 5100MM

NO.	REV.	DATE	BY	CHKD.	APPD.	DESCRIPTION
1	1					
2	1					
3	1					
4	1					
5	1					
6	1					
7	1					
8	1					
9	1					
10	1					
11	1					
12	1					
13	1					
14	1					
15	1					
16	1					