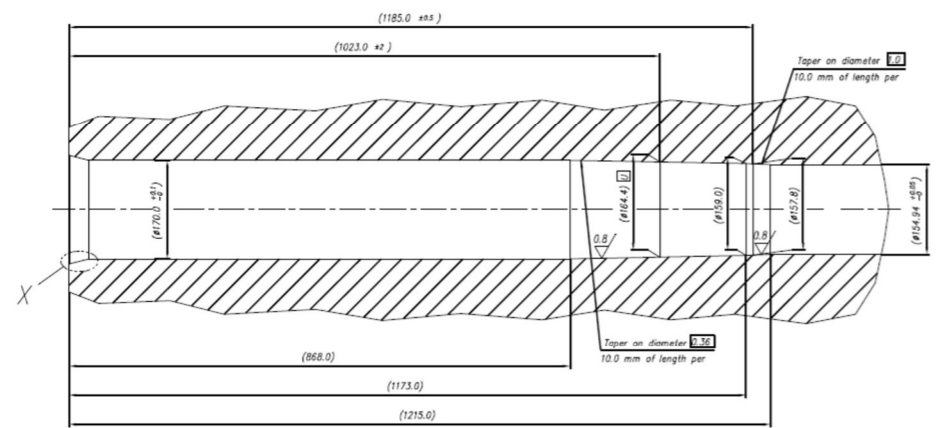
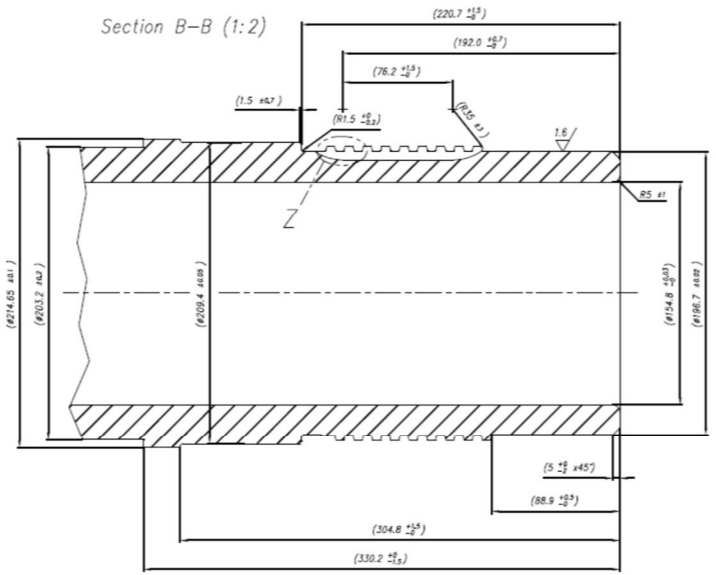


Section A-A



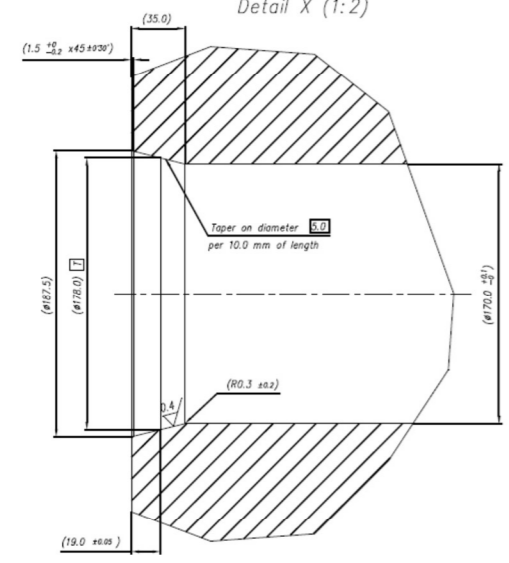
Section B-B (1:2)



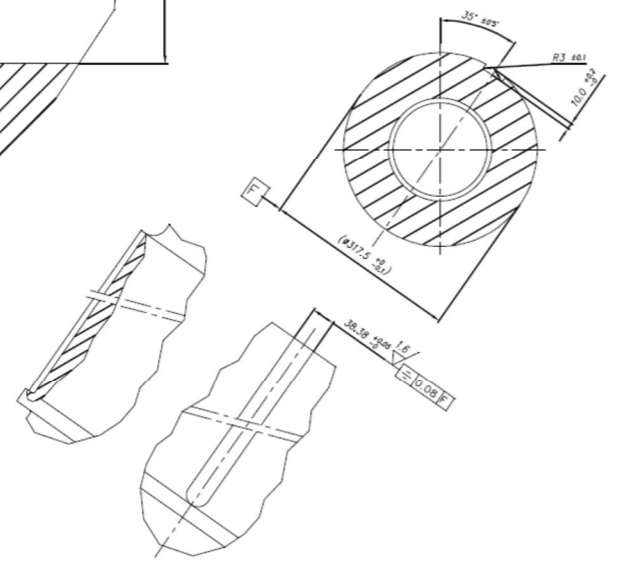
Detail U (5:1)



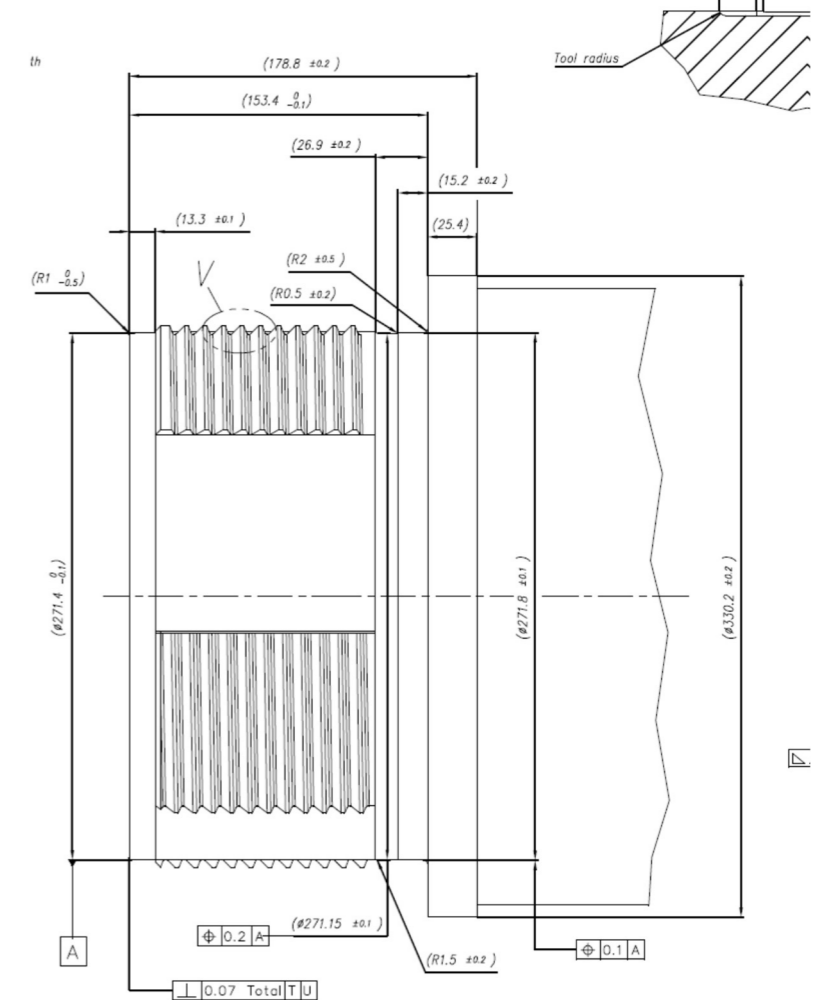
Detail X (1:2)



Section D-D



Detail Y (1:2)



ITF INTERNATIONAL TECHNOLOGY FINANCE LTD St. Vincent ITF										
Title					German Title					
Barrel, 155 mm, 45 Caliber Rohr, 155 mm, 45 Kaliber										
APPLICABLE SPECIFICATIONS					APPLICATION					
GENERAL REQUIREMENTS			EXAMINATION		Next Assembly		Used on			
19-0500-50			Magnetic	19-0511-50	15-0033-50		Cannon			
Tolerances	m		Ultrasonic							
Cutting			Radiation							
Surface Texture	3.2 (0.8, 1.6)		Penetration							
Welding Grades/Tol.			Others							
MATERIAL 19-1000-50					SURFACE TREATMENT					
Phosphate			19-0603-50		Control Points as per Record					
Primer			19-0606-50							
Top Coat			19-0607-50							
To be Heat Treated to:			Oil		19-1053-50		DRAWING REVISION			
min			Others		19-0610-50		Revision #	Date	Revision Name	Visa
max							09/0195	7.12.99	G A.Dubs	Du
TRACEABLE ITEM					Serie/Lot, Kind, Size					
					S-A-5					
Date	Name	Visa	Scale		Mass [Kg]	Substitute for		Size		
Drawn	28.05.98	S.Wenko	Wo	1:5 (1:2), (1:1)	1750.0			1		
Checked						Drawing Number		Revision		
Released	27.07.98	Kimmich	Kim	1	2	10-0544-50		G		