

C280

5.2 MW, 11 kV

1000 RPM

50 Hz

AVAILABLE IMMEDIATELY (7) Cat Model C280

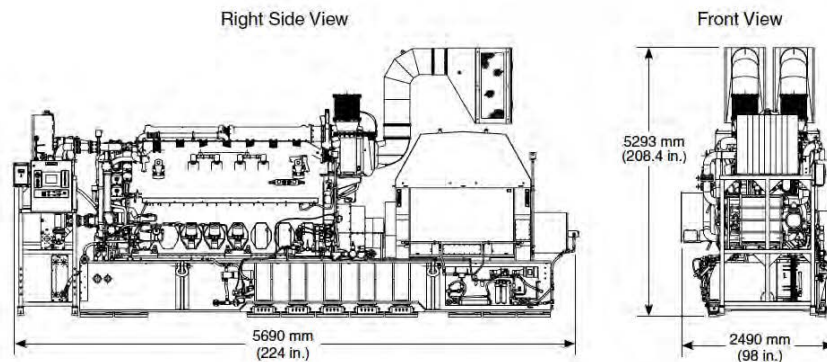
Packages are rated at **5.2 MW continuous each at 1000 RPM, 11 kV**. The gensets are **built to ABS/DNV standards** for offshore drilling application. The generator sets are EPA Tier II emission compliant (stage II Europe). They were delivered with Caterpillar Standard Packing and all sub assemblies sealed and crated in wooden boxes. The S/N are as follows:

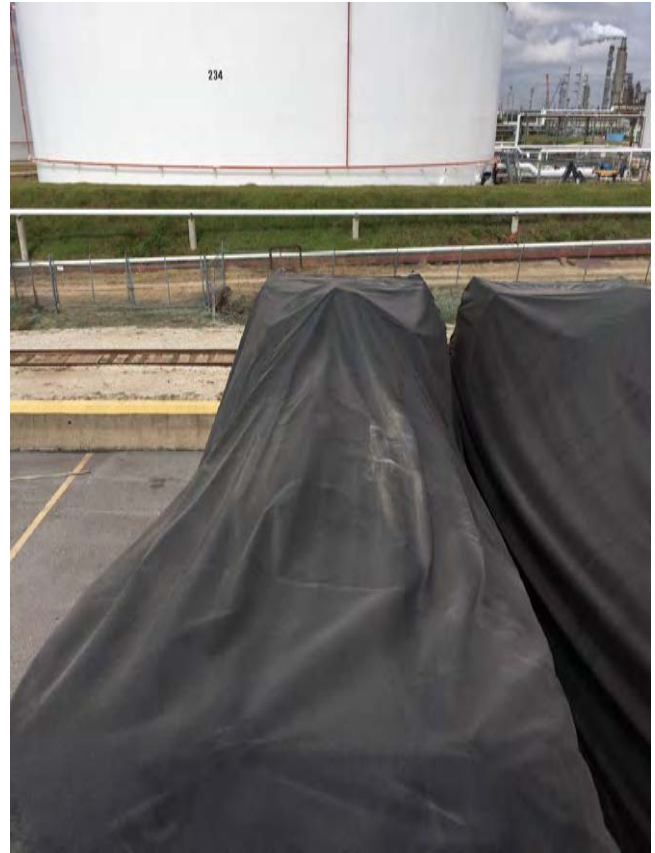
S/N	Hours
NKB00174	6
NKB00175	132*
NKB00176	8
NKB00177	8
NKB00178	8
NKB00179	8
NKB00180	8



*The total operating hours on each engine represents the factory test time at Caterpillar prior to shipment. * NKB00175 accumulated 132 hours of (FAT-Factory Acceptance Testing)*. It was necessary to run this unit 132 hours to prove performance as well as to obtain the EPA Emission class certification. As previously stated, none of the units have been installed, started or commissioned. The Caterpillar Warranty is fully intact and will begin upon startup and commissioning after installation.*

Provided with this equipment will be a digital transfer of Dropbox files that will include: service manuals, operators manuals technical bill of material as built drawings for package, as well as as-built drawings for electrical design and wiring diagrams. Included with the package is a complete packing list that details the ship-loose balance of plant and spare parts items.







INSPECTION REPORT

Inspection Date: 10-20-15

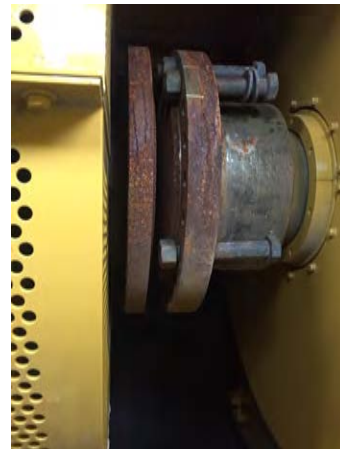
LOCATION: Houston Texas

EPG sent a representative to inspect each generator set for physical damage, storage damage, water damage, theft, concealment wrap damage and rust; each generator set package is very well protected from the elements.

Generator set packages are stored together on a very substantial paved storage lot that offers 24 hour security, including armed guards and video surveillance. Each unit is protected with top of the line, professionally installed, dual layered protective covering, intended specifically for long-term storage; the exterior protection incorporates a high-strength, tear resistant, waterproof rubber tarp for the top layer, on top of a separate thermal-silicon lined chafing layer placed over the engine prior to the top cover being installed on each package. The chafing layer is designed to prevent sharp corner protrusion through the outer tarpaulin cover, which also prevents condensation moisture from dropping down on the engine.

Packing of each unit was done professionally in order to provide for the most durable, long-lasting, long-term protection for these units; each genset has been protected exceptionally well. Each generator set looks to be new surplus, the paint is in very good condition with minimal visible corrosion.

The generator sets were shipped from the factory with all spool bolts removed between the generator output coupling and the engine flywheel coupling (as it should have been). There is minor rust on the generator drive spool coupling, which is neither detrimental and is expected.



KATO generator ends

All generator ends are **2-bearing marine cooled** and manufactured by KATO. They are all 80 ° C rise and are all rated for **continuous duty 5.2 MW at 11,000 V**. The alternators have been connected to shore power with strip heaters operational.



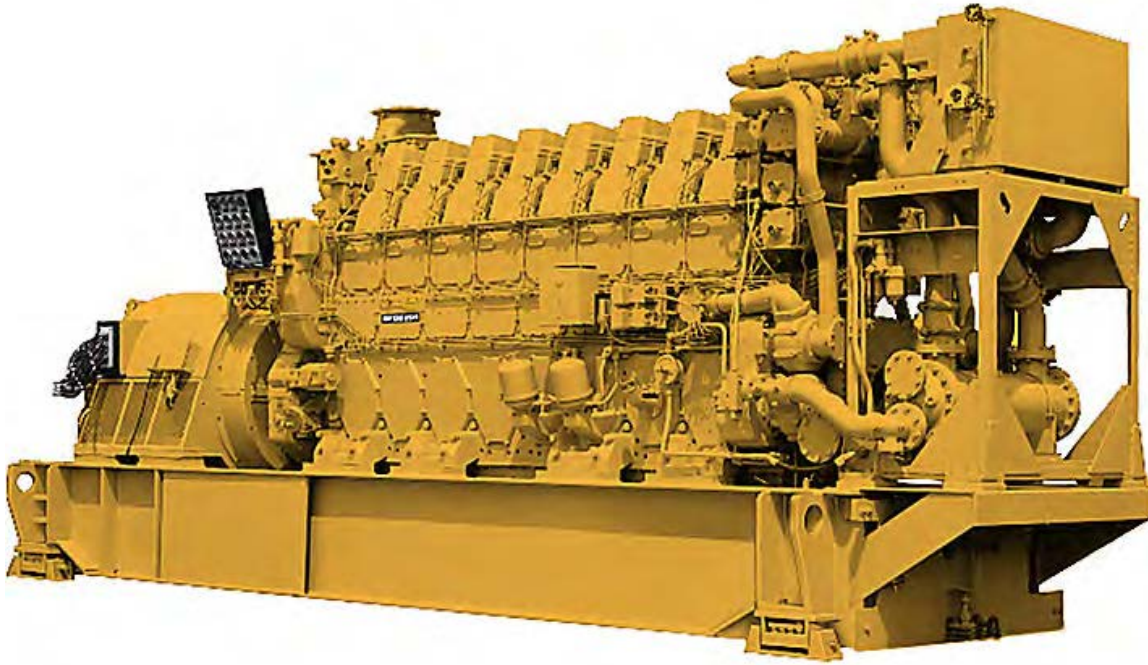
SHIP LOOSE Spare Parts

The shipped Loose spare parts and component items are all export boxed and are stored both inside and outside; for the most part, the boxes appear to be in fair to good condition, some in excellent condition; these seem to have been repacked as needed for preservation. All contents are in excellent condition, ready for shipment and installation.

FOB Houston , TX



GENSET PHOTOS



Cat C280 Data Tag

